



**User Guide**

**Guide de l'Utilisateur**

**Manual do Usuário**



**ONERR**

**EFFECTS**

**BOOSTED LINE SELECTOR BL-1**

# Product Overview

Thank you for choosing an Onerr product.

The ONERR **Boosted Line Selector BL-1** was designed to give musicians three very useful options:

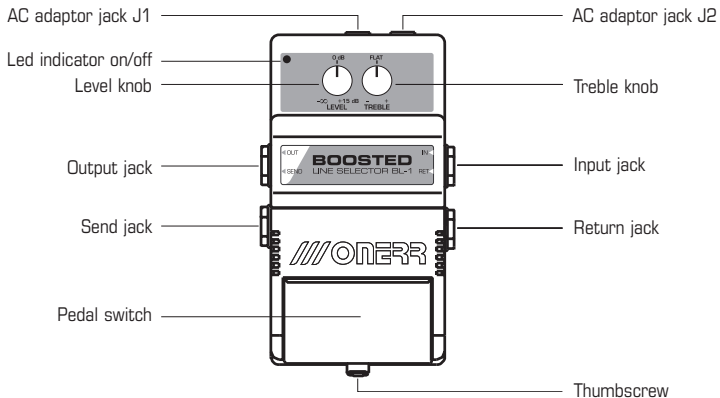
**A/B box:** Connect either two instruments to a single amplifier (with control of Level and Treble of one of the instruments) or one instrument to two amplifiers.

**Booster:** Boost your guitar level and “push” a tube amp, warming your tone.

**Effect Loop:** Create an external effect loop that can be bypassed when necessary.



## Panel Descriptions



## Pedal Descriptions

**AC adaptor Jack (J1):** Accepts connection of an external AC adaptor.

**AC adaptor Jack (J2):** Used to distribute the voltage to your pedal chain.

**Input Jack:** Connect your instrument cord or the output of another effect pedal if you are linking pedals together.

**Output Jack:** This output jacks will deliver the effected sound to your amplifier, or to an input jack of another effect.

**Send Jack:** Send the instrument signal to an external effect loop.

**Return Jack:** Receive an external signal from an external effect loop.

**Pedal:** Depress to turn on/off the pedal.

**Level:** Adjusts the level of the RETURN jack. The center position is set to 0 dB. Turning it to the left decreases the total volume and turning it to the right increases the total volume up to 15 dB (max).

**Treble:** Adjusts the amount of treble of the RETURN jack. Turning it to the left decreases the treble amount and turning it to the right increases the treble amount.

**Led Indicator:** Indicates the pedal status. When led is green, the power supply is okay and indicates your BL-1 is under bypass mode. When led is red, your instrument signal is being sent to an external looping effect.

## Powering

This pedal is not battery operable. You must use an AC adaptor to power your pedal.

### Warning

When using an AC adaptor is sure to use a compatible model for your unit, otherwise irreparable damage may be caused.

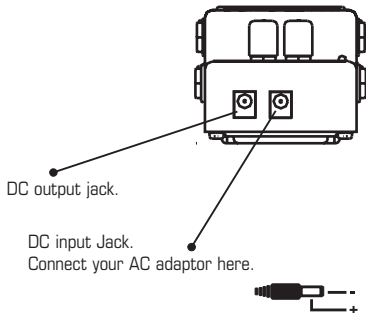
Optional Onerr AC adaptor: Onerr PA-21 or PA-23.

## Power supply specifications

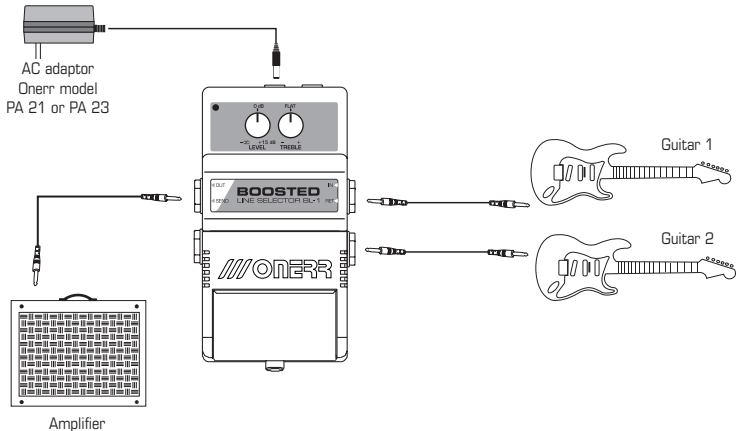
Output voltage: 9VDC

Current capacity: 100ma (minimum)

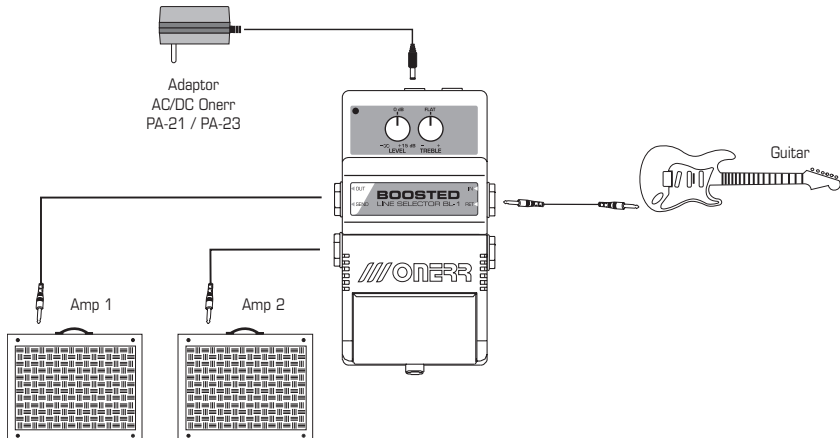
Output plug: 2.1 x 5.5 mm ( negative center)



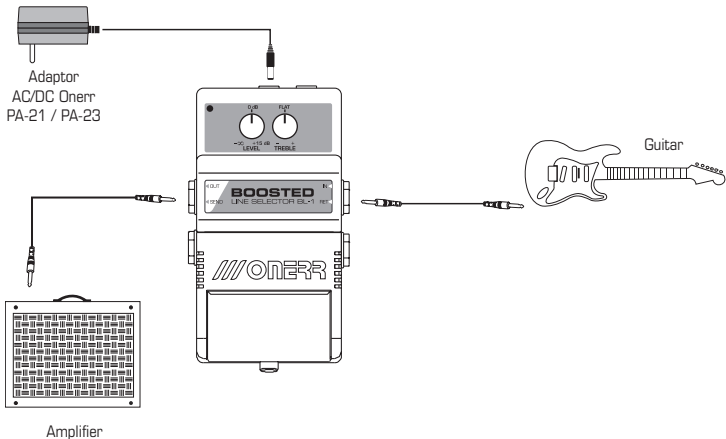
## Using as an A/B Box (1)



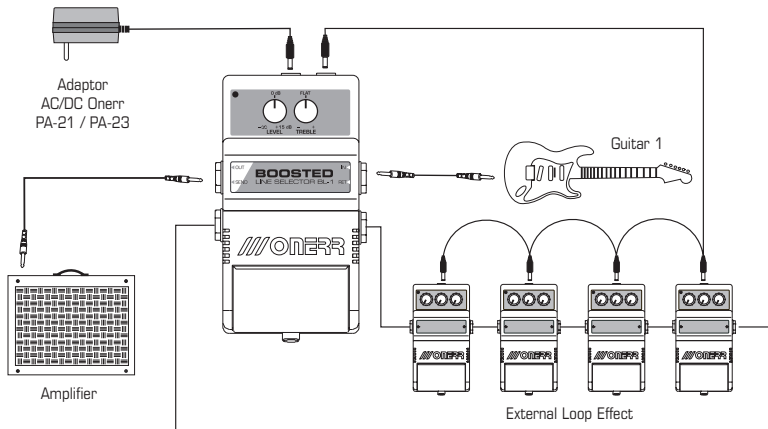
## Using as an A/B Box (2)



## Using as a Booster



## Using as a Boosted effect loop



## Notes:

- Only use reliable cords to connect your pedals. This is to be sure you won't get troubles while playing.
- Before powering your pedals, make all necessary linking connections. In case of you need to change any connection, do not forget to turn the power off in order to not cause any damage to your units.
- Only use regulated adaptors in order to have best performance.
- Do not worry if you accidentally change the input to output cord. This will not damage your unit. Just turn the power off and reconnect it correctly.

### Using this pedal safely



#### **Warning or caution:**

Instructions alerting the user to possible risks and/or injuries if the product is used improperly.



#### **Forbidden actions:**

Used to advise those actions that can't be carried out.



Before using this product be sure to read and check all instructions of this Owner's manual.



Do not open this product in any way. This will void the warranty and may cause damage to the unit if manipulated by non-authorized people.



Do not use or store this product in places that are:

- dusty;
- humid or damp;
- subject to very high (such as sunlight or near heating equipment) or very low temperatures;
- subject to rain.



Use only reliable AC adaptors with proper line voltage. Non-reliable AC adaptors with different polarity or voltage may cause damage or malfunction and void the warranty.



Do not allow any kind of object or liquid to penetrate this product. This may cause irreparable damages.



Turn the power off and remove the AC adaptor from the outlet if any of the following conditions occur:

- the AC adaptor cord has been cut or damaged;
- this unit has been exposed to rain or some liquid has penetrated the unit;
- this product does not appear to operate normally or presents some change in performance.

## **Warranty**

Microtronix Eletrônica Ltda warrants this unit to be free from defects in materials and workmanship for a period of 1 (one) year from date of first purchase.

This warranty does not include any kind of damage resulting from accidents, misuse, abusive, alteration to the internal circuitry or vital parts and damages caused by non-reliable AC adaptors.

If in any way this unit becomes defective within the warranty period, Microtronix Eletrônica Ltda will elect to repair or replace it free of charge.

After the warranty period, Microtronix Eletrônica Ltda will repair this unit for a fee.

This warranty is extended for residents of Brazil. Please call main office for return authorization number. Microtronix will not accept packages without prior authorization, pre-paid freight, and proper insurance.

Please call or e-mail the international distributor for warranty information.

## Specifications\*

Power supply: AC adaptor (Onerr model PA-21 or PA-23)

Current draw: 25 mA

Controls: Level and Treble

Switch: Turn on/off effect

Indicators: Indicator on/off led

Jacks: input, output, send, return, J1 and J2 AC

Input impedance: 470 kOhm (minimum)

Output impedance: 1 kOhm (maximum)

Dimensions: 130 mm (D) x 74 mm (W) x 61 mm (H)

Weight: 1 lb 6oz (634 g)

\*The above specifications are subject to change without prior notice.



Manufactured in Brazil by  
Microtronix Eletrônica Ltda.  
Printed in Brazil - 28001427  
[www.onerr.com](http://www.onerr.com)